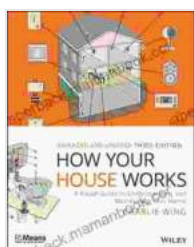


How Your House Works

Your house is a complex system, comprised of a myriad of interconnected components that work together to provide you with a comfortable, safe, and functional living environment. From the foundation to the roof, and from the plumbing to the electrical system, each element plays a crucial role in the overall well-being of your home.



How Your House Works: A Visual Guide to Understanding and Maintaining Your Home (RSMMeans)

by Charles Wing

★★★★☆ 4.7 out of 5

Language	: English
File size	: 23603 KB
Text-to-Speech	: Enabled
Screen Reader	: Supported
Enhanced typesetting	: Enabled
X-Ray	: Enabled
Print length	: 217 pages
Lending	: Enabled

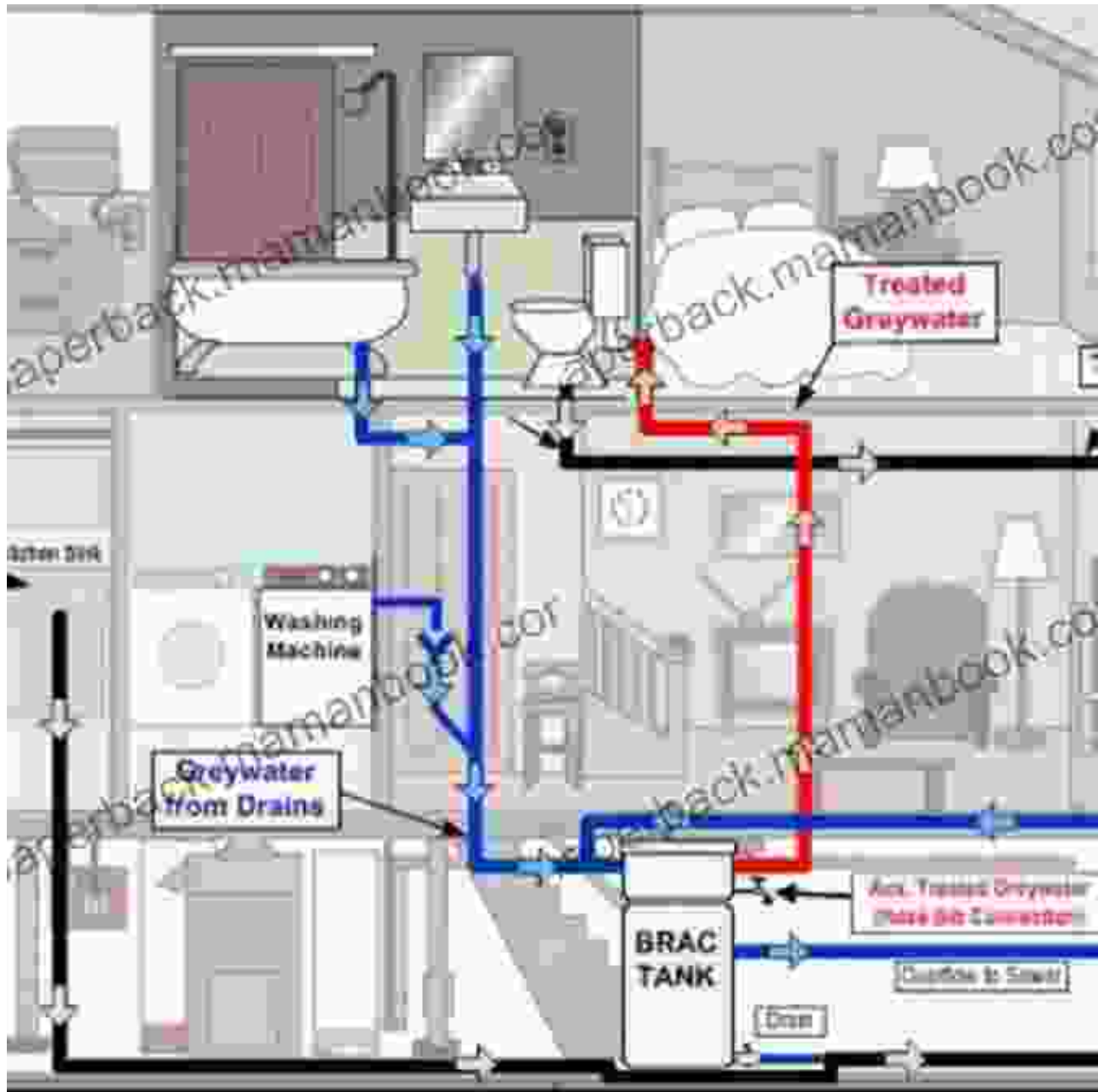


In this comprehensive guide, we will explore the intricate workings of your house, delving into the essential systems that ensure your comfort, safety, and convenience. We will unravel the mysteries of plumbing and electrical systems, decipher the secrets of heating, ventilation, air conditioning (HVAC), and ventilation systems, and examine the importance of roofing, foundation, insulation, and energy efficiency. Armed with this knowledge, you will be empowered to make informed decisions about home

maintenance and repairs, ensuring that your abode remains a haven for years to come.

Plumbing System

The plumbing system is the lifeline of your house, responsible for delivering fresh water throughout the building and draining wastewater away. It consists of an intricate network of pipes, fixtures, and appliances that work together to provide you with clean water for drinking, cooking, and bathing, as well as a sanitary way to dispose of wastewater.



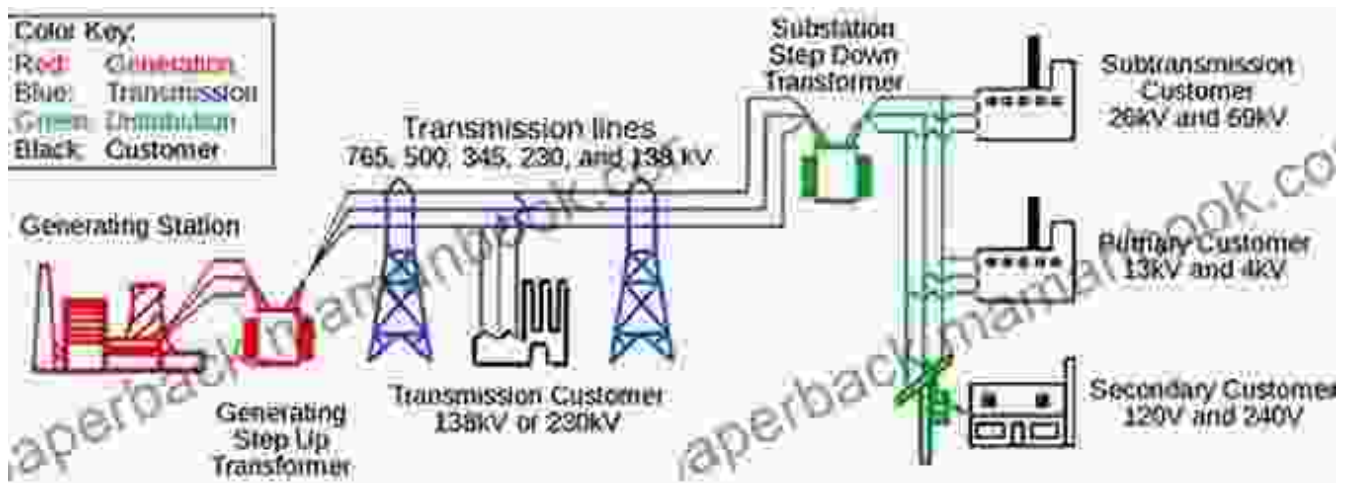
The main components of a plumbing system include:

- **Water supply system:** This system brings fresh water into the house from a municipal source or a private well. It consists of a water main, which is the main pipe that carries water into the house, as well as branch lines that distribute water to different fixtures and appliances.

- **Drainage system:** This system collects and removes wastewater from the house. It consists of drainpipes, which carry wastewater from fixtures and appliances to a main sewer line, which then carries the wastewater away from the house to a municipal treatment plant.
- **Fixtures and appliances:** Fixtures and appliances are the points of access to the plumbing system. Fixtures include sinks, toilets, and showers, while appliances include dishwashers, washing machines, and water heaters.

Electrical System

The electrical system is the nervous system of your house, providing power to all of your electrical devices and appliances. It consists of a network of wires, circuits, and panels that distribute electricity throughout the building, allowing you to light your home, cook your food, and operate your electronic devices.



The main components of an electrical system include:

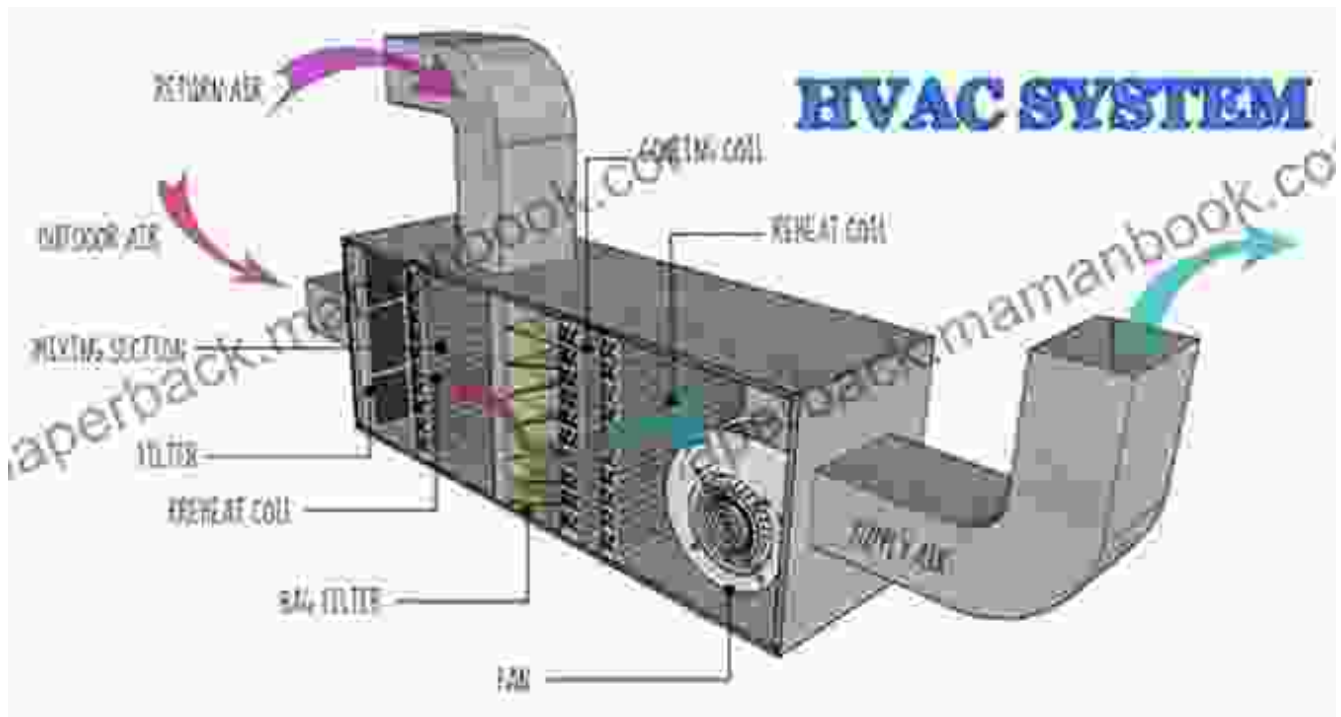
- **Electrical service entrance:** This is the point where electricity enters the house from a utility company. It typically consists of a meter, which

measures the amount of electricity used by the house, and a circuit breaker panel, which protects the electrical system from overloads and short circuits.

- **Circuit breaker panel:** The circuit breaker panel is the central distribution point for electricity in the house. It contains circuit breakers, which are switches that protect individual circuits from overloads and short circuits.
- **Circuits:** Circuits are the pathways through which electricity flows throughout the house. Each circuit is designed to handle a specific amount of electrical load, and is protected by a circuit breaker.
- **Wiring:** Wiring is the network of wires that connect the electrical service entrance to the circuit breaker panel, and from the circuit breaker panel to the fixtures and appliances in the house.
- **Fixtures and appliances:** Fixtures and appliances are the devices that use electricity to provide light, heat, or power.

HVAC System

The HVAC system is responsible for maintaining a comfortable indoor environment in your home, regardless of the weather conditions outside. It consists of a heating system, a cooling system, and a ventilation system that work together to regulate the temperature, humidity, and air quality in your home.

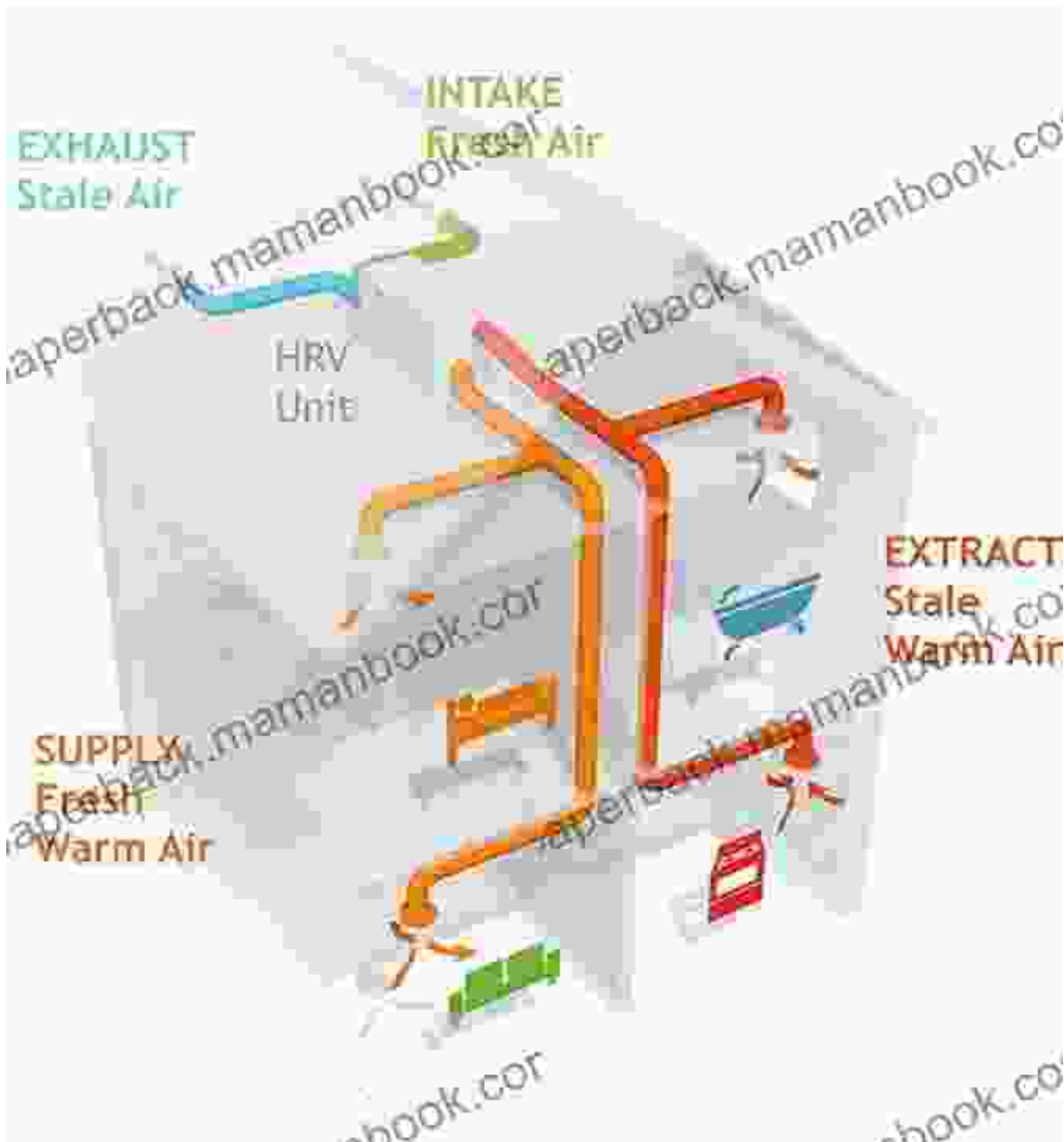


The main components of an HVAC system include:

- **Heating system:** The heating system provides warmth to your home during the cold months. It can be powered by natural gas, propane, oil, electricity, or geothermal energy, and can consist of a furnace, boiler, or heat pump.
- **Cooling system:** The cooling system provides cool air to your home during the warm months. It can be powered by electricity or geothermal energy, and can consist of an air conditioner, heat pump, or evaporative cooler.
- **Ventilation system:** The ventilation system circulates air throughout your home, bringing in fresh air from outside and removing stale air and pollutants. It can be powered by electricity or natural ventilation, and can consist of fans, vents, and ducts.

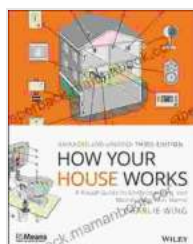
Ventilation System

The ventilation system is responsible for maintaining good air quality in your home by removing stale air and pollutants, and bringing in fresh air from outside. It consists of a network of vents, ducts, and fans that work together to circulate air throughout the building.



The main components of a ventilation system include:

- **Supply vents:** Supply vents are located in the ceilings or walls of your home, and they allow fresh air to enter the building from outside.
- **Exhaust vents:** Exhaust vents are located in the bathrooms, kitchens, and other areas where moisture and pollutants are generated. They allow stale air and pollutants to exit the building.
- **Ducts:** Ducts are the pathways through



How Your House Works: A Visual Guide to Understanding and Maintaining Your Home (RSMMeans)

by Charles Wing

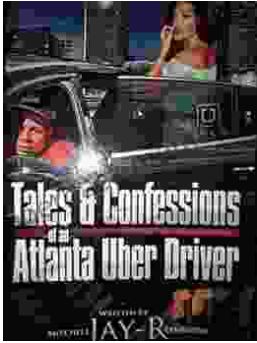
★★★★☆ 4.7 out of 5

Language : English
 File size : 23603 KB
 Text-to-Speech : Enabled
 Screen Reader : Supported
 Enhanced typesetting : Enabled
 X-Ray : Enabled
 Print length : 217 pages
 Lending : Enabled



Play We Now On Christmas Violin Christmas: A Heartfelt Christmas Carol

Play We Now On Christmas Violin Christmas is a heartwarming Christmas carol that celebrates the birth of Jesus Christ. The song is often played on the...



Tales from the Road: Confessions of an Atlanta Uber Driver

In the vibrant city of Atlanta, where skyscrapers pierce the sky and traffic weaves a tapestry of motion, I embark on my daily adventures as an...