

# Bouncing Betty: The Scarlet Chronicles

## An to Bouncing Betty



Bouncing Betty, also known as the S-Mine or Springmine 35, was a highly effective anti-personnel landmine widely employed by German forces during World War II. Its distinctive appearance, resembling a coiled frog,

and its lethal fragmentation effect made it a formidable weapon on the battlefield.



## Bouncing Betty (The Scarlet Chronicles Book 1)

by Liliana Hart

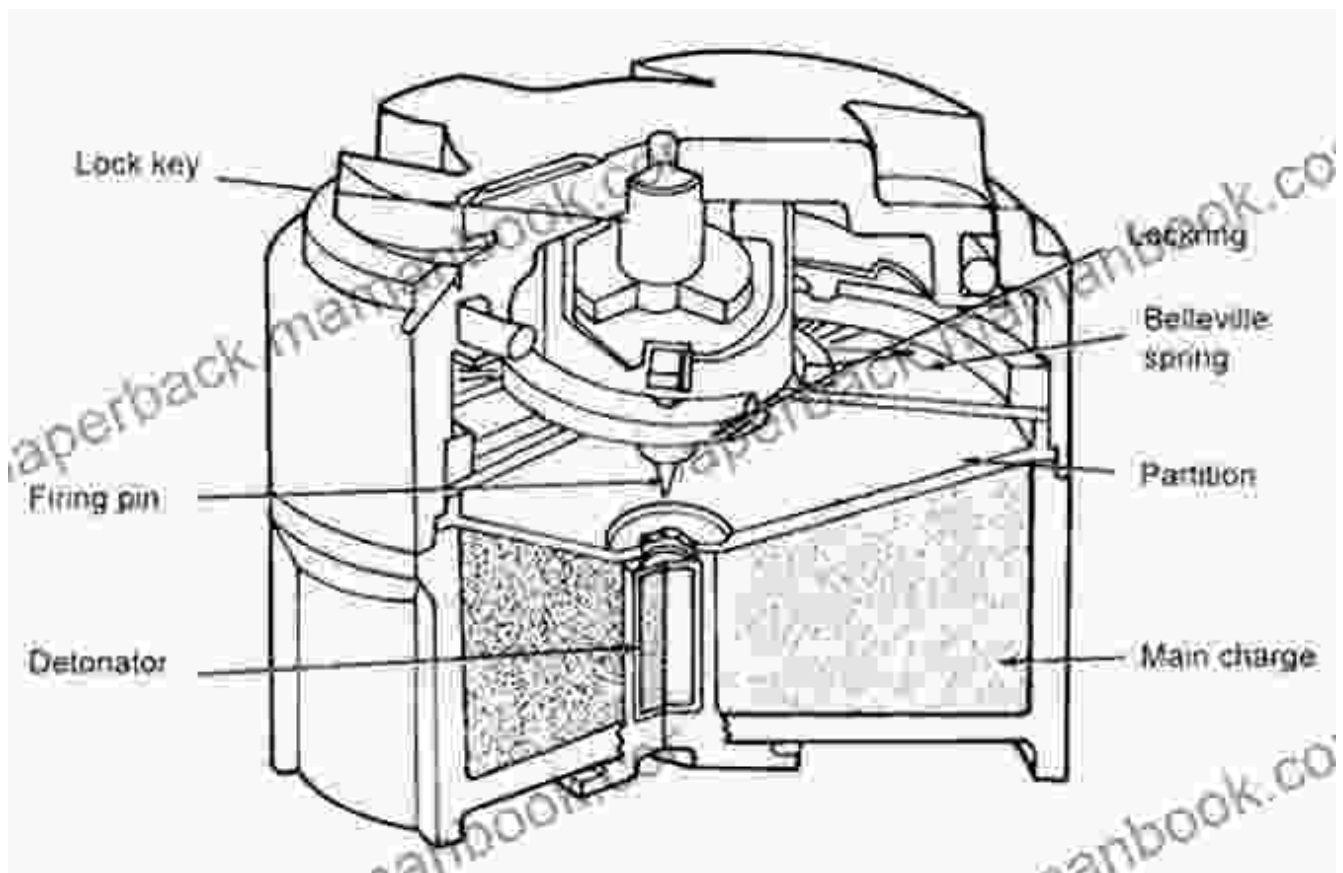
★★★★☆ 4.5 out of 5

Language : English  
File size : 1851 KB  
Text-to-Speech : Enabled  
Screen Reader : Supported  
Enhanced typesetting : Enabled  
Word Wise : Enabled  
Print length : 140 pages  
Lending : Enabled



This article delves into the intriguing history of Bouncing Betty, examining its meticulous design, ingenious tactics, and the profound impact it had on the course of the war. We will also uncover the captivating true stories associated with this iconic weapon, shedding light on the human experiences and sacrifices that shaped its legacy.

### **Ingenious Design: The Mechanics of Bouncing Betty**



Cross-sectional diagram showcasing the intricate mechanism of the Bouncing Betty.

Bouncing Betty's design was a testament to German engineering prowess. It consisted of a cylindrical body housing a powerful explosive charge, surrounded by a series of steel balls. When triggered, the mine would launch into the air, reaching a height of approximately 1.5 meters before detonating.

This ingenious mechanism allowed the fragmentation effect to spread horizontally, inflicting maximum casualties within a wider radius. The steel balls acted as shrapnel, propelled by the explosion with deadly force. This unique design made Bouncing Betty particularly effective against infantry, as it could incapacitate multiple soldiers simultaneously.

## Deadly Tactics: Employing Bouncing Betty on the Battlefield



The German military employed Bouncing Betty with tactical precision, often concealing the mines in fields, forests, and along roadways. Its small size and unobtrusive appearance made it difficult to detect, rendering it a deadly surprise for unsuspecting combatants.

Bouncing Betty was particularly effective when used in conjunction with other defensive measures, such as barbed wire and machine gun nests. This combination created a formidable obstacle course for advancing troops, forcing them into vulnerable positions and increasing the likelihood of casualties.

## Devastating Impact: The Legacy of Bouncing Betty



A somber image showcasing the tragic consequences of a Bouncing Betty explosion, highlighting its devastating impact.

Bouncing Betty's effectiveness as an anti-personnel weapon came at a great cost. Its fragmentation effect caused severe injuries, often leading to amputation, disfigurement, and even death. The psychological impact of the mine was equally devastating, as soldiers lived in constant fear of triggering these hidden hazards.

The legacy of Bouncing Betty extends beyond the battlefields of World War II. It remains a potent symbol of the horrors of landmine warfare, an indiscriminate weapon that continues to inflict suffering on innocent civilians in conflict zones worldwide.

## **Scarlet Chronicles: True Stories of Bouncing Betty**

### **The Medic's Dilemma**

Amidst the chaos of battle, a medic named Jack found himself tending to a wounded comrade when a Bouncing Betty exploded nearby. Shrapnel tore into his legs, incapacitating him. Faced with a life-altering injury, Jack's thoughts turned to his pregnant wife back home.

### **The Boy and the Mine**

In the aftermath of the war, a young boy named Peter wandered into a field, unaware of the deadly relics that lay buried beneath the soil. As he kicked a peculiar object, it detonated, stealing his innocence and leaving him scarred for life.

### **The Deminer's Sacrifice**

Decades after the conflict ended, deminers like Anya risked their lives to clear landmines from war-torn countries. During one mission, Anya encountered a Bouncing Betty, its deadly potential still intact. With nerves of steel, she carefully disarmed the mine, preventing another tragedy.

### **Epilogue: The Enduring Legacy of Bouncing Betty**



Bouncing Betty remains an infamous chapter in the annals of warfare, a stark reminder of the destructive power of anti-personnel landmines. Its enduring legacy is not only one of pain and suffering but also of resilience and the unwavering efforts to rid the world of these deadly devices.

As we strive to create a future free from the horrors of landmine warfare, let us remember the countless lives shattered by Bouncing Betty and honor

the sacrifices of those who fought against its deadly legacy.



## Bouncing Betty (The Scarlet Chronicles Book 1)

by Liliana Hart

★★★★☆ 4.5 out of 5

Language : English

File size : 1851 KB

Text-to-Speech : Enabled

Screen Reader : Supported

Enhanced typesetting : Enabled

Word Wise : Enabled

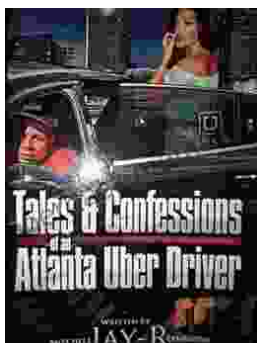
Print length : 140 pages

Lending : Enabled



## Play We Now On Christmas Violin Christmas: A Heartfelt Christmas Carol

Play We Now On Christmas Violin Christmas is a heartwarming Christmas carol that celebrates the birth of Jesus Christ. The song is often played on the...



## Tales from the Road: Confessions of an Atlanta Uber Driver

In the vibrant city of Atlanta, where skyscrapers pierce the sky and traffic weaves a tapestry of motion, I embark on my daily adventures as an...



